

# HBL2320 -- Twist-Lock Receptacle



2P3W, 20A 250V, L6-20R, Black Nylon Face

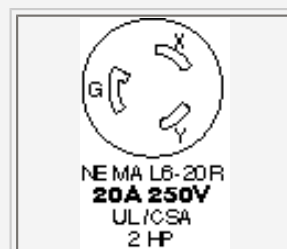
## Product Specifications

### Product Type



<b>Product Item</b>	Single Receptacle
<b>Wiring Scheme</b>	2 Pole, 3 Wire Grounding
<b>Amperage</b>	20A
<b>Voltage</b>	250V AC
<b>NEMA Configuration</b>	L6-20R
<b>Item Style</b>	Standard
<b>Device Color</b>	Black
<b>Horsepower</b>	2
<b>Terminal Clamp Material</b>	.040" (1.0 ) Brass
<b>Terminal Screw Material</b>	#10-32 Bronze (White finish on neutral screw when used)
<b>Ground Screw Material</b>	#10-32 Bronze (Green)
<b>Contact Spring Material</b>	.040" Brass

<b>Mounting Screw Material</b>	Steel-zinc-plated
<b>Cover (Top) Material</b>	Black Nylon
<b>Base Material</b>	Nylon Polyester
<b>Ground Contact Material</b>	.040" Brass
<b>Bridge (Mounting Strap) Material</b>	.050" Brass
<b>Back Plate Material</b>	.040" Brass
<b>Rivet Material</b>	Brass
<b>Auto Ground Clip Material</b>	Stainless Steel
<b>Ratings</b>	Molded into face.
<b>Dielectric Voltage Withstand</b>	2,000V minimum.
<b>Current Interrupting</b>	Certified for current interrupting at full rated current.
<b>Temperature Rise</b>	Max 30C temperature rise at full rated current after 50 cycles of overload at 150% of rated current at a power factor of .75.
<b>Terminal Accommodation</b>	#14 to #8 AWG Copper Only
<b>Terminal Identification</b>	Terminals identified in accordance with UL 498 (X, Y, Z, White, Green)
<b>Flammability</b>	HB or better per UL 94 or CSA 22.2 No. 0.6
<b>Operating Temperatures</b>	Maximum Continuous 75 C Minimum -40 C (w/o impact)
<b>Listings</b>	FED SPEC UL/CSA
<b>Feature Info</b>	Black nylon face.
<b>M Drawings</b>	<a href="#">Click here for M-Drawing</a>
<b>Catalog Page</b>	<a href="#">Click here for catalog page B22</a>
<b>Brochures</b>	<a href="#">Click here for product brochure</a>
<b>Hubbellnet</b>	<a href="#">Click here for Hubbellnet</a>
<b>Catalog Section</b>	<a href="#">Click here for Section-B</a>
<b>UPC Number</b>	78358523558
<b>Weight in LBs</b>	0.25

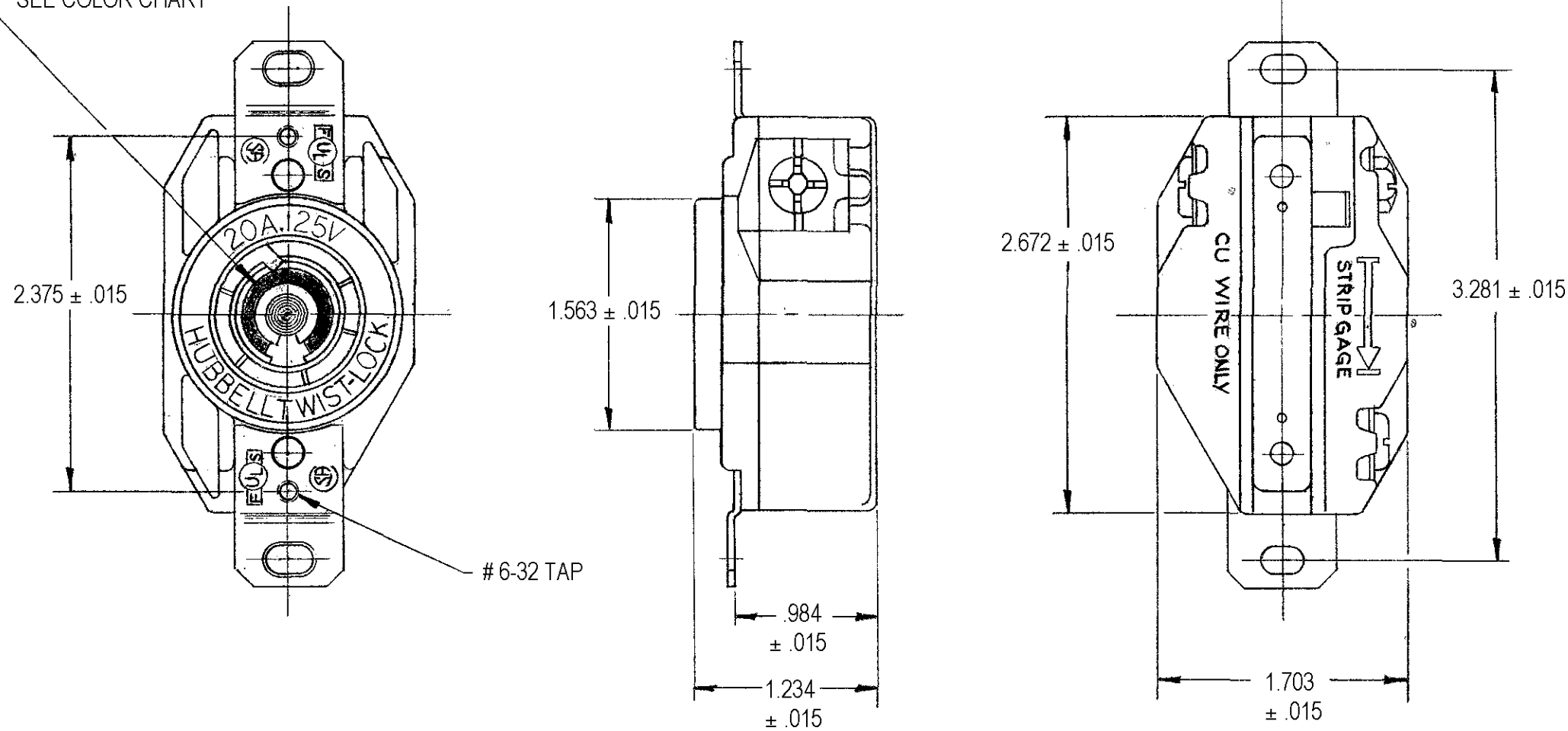


NEMA  
Configuration



M-6469 4

COLOR RATING RING  
SEE COLOR CHART



CAT. NO. YELLOW COVER	CAT. NO. BLACK COVER	CONFIGURATION	RATING	RATING RING COLOR
HBL 23 CM 10	HBL 2310	NEMA L5-20R	20A.125V.	YELLOW
—	HBL 2320	NEMA L6-20R	20A.250V.	BLUE
—	HBL 2330	NEMA L7-20R	20A.277V.	GRAY
—	HBL 2340	NEMA L8-20R	20A.480V.	RED
—	HBL 2350	NEMA L9-20R	20A.600V.	—

LIST OF PARTS		
DESCRIPTION	MATERIAL	FINISH
BASE	POLYESTER	TAN
COVER	NYLON	
CONTACT SPRINGS	040 BRASS	
CLAMP	040 BRASS	
GR. SHUNT	015 BRASS	
BINDING SCREWS	BRONZE	*
HEX. HD. BIND. SCREW	BRONZE	GREEN
BACK PLATE	040 BRASS	
END PLATES	050 BRASS	
RIVET	BRASS	

\* WHITE FINISH ON NEUTRAL  
SCREW WHEN USED.

NOTE:  
ON CM DEVICES, BRASS PARTS  
ARE .0003 NICKEL PLATED + TIN

SYM	REVISIONS	APP	DATE
4	ALL DIMS CONVERTED TO 3 PL DECIMAL & TOL ADDED. VIEW EDITED TO SHOW TRI-DRIVE SCREW PER DCN #7772. AMZ DB		6/28/00
3	ADDED BASE FINISH EC 7252 ADDED "HBL" TO CAT # ALM		10-3-99
2	REVISED "CM" DEVICE N.C.		12-7-89
1	CONTACT SPRING MATL. WAS .040 BRONZE AT		8-6-86

THE DESIGN AND DIMENSIONS OF THE  
PRODUCT SHOWN ON THIS DRAWING ARE  
SUBJECT TO CHANGE WITHOUT NOTICE.

TITLE  
20A. 2 POLE 3 WIRE  
TWIST-LOCK RECEPTACLES

TOLERANCES UNLESS  
OTHERWISE SPECIFIED  
FRACTIONS ± 1/64  
DECIMALS ± .005  
ANGLES ± 2°

WIRING DEVICE DIVISION  
**HARVEY HUBBELL, INC.**  
BRIDGEPORT, CONN.  
DR. BY ASM APP. BY  
TR. BY SCALE 1=1  
CHK'D. BY DATE 10-11-85

CODE 74545

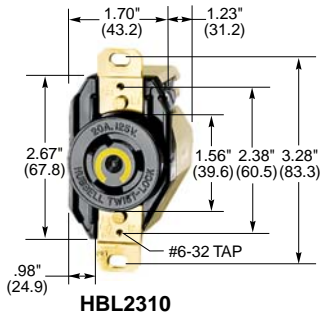
DIMENSION SHEET FOR CAT. NO. SEE CHART  
 REPAIRABLE  NON-REPAIRABLE   
**B**  
**M-6469**  
**4**

## TWIST-LOCK® Devices

### 2 Pole, 3 Wire Grounding

20 Ampere, 125, 250 Volts and 277 Volts AC

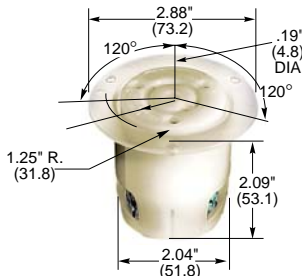
Receptacles, INSULGRIP® Connector Bodies, Flanged Devices and Plugs



**HBL2310**



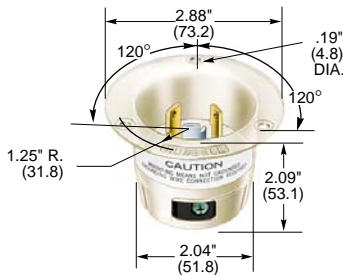
**HBL2313**



**HBL2316**



**HBL2311**



**HBL2315**



NEMA L5-20R  
20A 125V  
UL/CSA  
1 HP



NEMA L6-20R  
20A 250V  
UL/CSA  
2 HP



NEMA L7-20R  
20A 277V AC  
UL/CSA  
2 HP

#### Single Flush Receptacles, Back and Side Wired

Description	Catalog Numbers		
Black nylon face.	<b>HBL2310</b>	<b>HBL2320</b>	<b>HBL2330</b>
Isolated ground, orange nylon face.	<b>IG2310</b>	<b>IG2320</b>	—
Corrosion resistant, yellow nylon face.	<b>HBL23CM10</b>	—	—

#### Insulgrip Connector Bodies IP20 SUITABILITY

Description	Catalog Numbers		
Black and white nylon.	<b>HBL2313</b>	<b>HBL2323</b>	<b>HBL2333</b>
Corrosion resistant, yellow nylon.	<b>HBL23CM13</b>	<b>HBL23CM23</b>	—

Note: Cord clamp range .360"-.930" (9-24).

#### Insulgrip Flanged Receptacles

Description	Catalog Numbers		
Nylon casing, back wired.	<b>HBL2316</b>	<b>HBL2326</b>	<b>HBL2336</b>



NEMA L5-20P  
20A 125V  
UL/CSA  
1 HP



NEMA L6-20P  
20A 250V  
UL/CSA  
2 HP



NEMA L7-20P  
20A 277V AC  
UL/CSA  
2 HP

#### Insulgrip Plugs IP20 SUITABILITY

Description	Catalog Numbers		
Black and white nylon.	<b>HBL2311</b>	<b>HBL2321</b>	<b>HBL2331</b>
Corrosion resistant, yellow nylon.	<b>HBL23CM11</b>	<b>HBL23CM21</b>	—

Notes: Cord grip range .360"-.930" (9-24).

See page B-73 for Add-A-Shroud™ kit.

#### Insulgrip Flanged Inlets

Description	Catalog Numbers		
Nylon casing, back wired.	<b>HBL2315</b>	<b>HBL2325</b>	<b>HBL2335</b>

Notes: See pages B-68 and B-69 for accessories.

See page B-63 for switched enclosure.

For technical information see page B-83.

HP ratings are AC only.

Only receptacles and plugs are HP rated.